

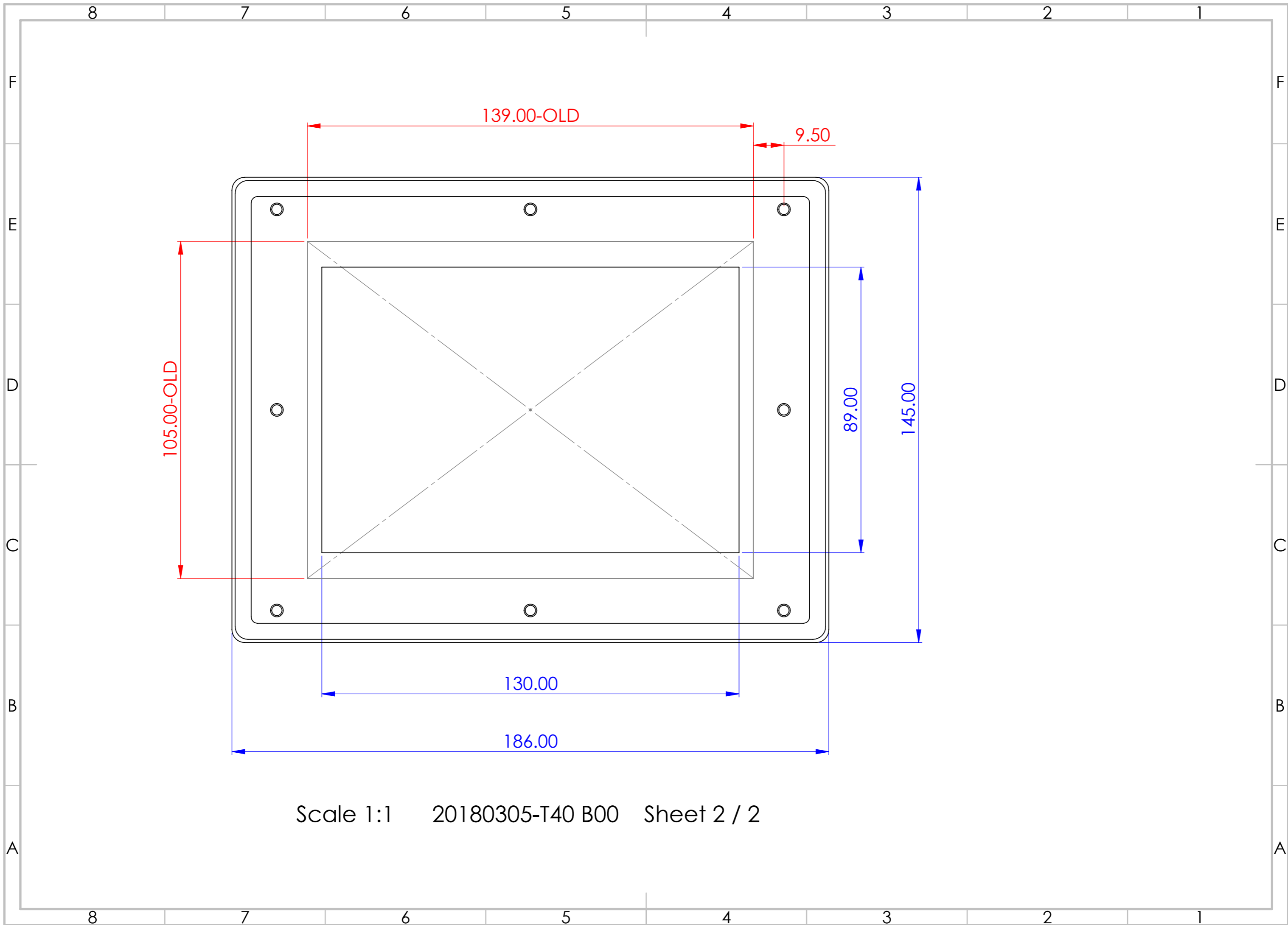
Scale 1:1
Please see page 2 / 2

Note.
Standard nut M4 = 8 pcs.
Lock washer M4 = 8 pcs
put it in a separate zip bag in the package

ITEM NO.	PART NUMBER	DESCRIPTION	QTY.
1	EXTER T40	EG = 2.0 mm	1
2	PEM FH-M4-12 X--N		8
3	Gasket T40	T=2.0 mm.	1
4	1700000030	Nut M4	8
5	1721480160	Lock Washer M4	8
6	220000504	Powder paint interpon 610 silver fine texture	0.01

All dimensions are in millimeter.

<p>GPV Asia (Thailand) Co., Ltd. 88 Moo 4, Bangpoo Industrial Estate Soi 11-12, Sukhumvit Road, Bangpoo District, Bangkok 10260, Thailand Tel: +66 (0) 2709 2550 Fax: +66 (0) 2709 2564</p>	<p>MATERIAL: -</p> <p>SURFACE TREATMENT:</p> <p>CUSTOMER: Beijer</p> <p>CUSTOMER/NO.:</p> <p>DESCRIPTION: Adaptor plate from T40/E1041/E1043 to X2 pro 4</p> <p>GPV ITEM NO.: 20180305-T40 B00</p> <p>PROJECT NO.:</p>	<p>THIS DRAWING REMAINS THE EXCLUSIVE PROPERTY OF THE GPV GROUP. IT SHALL NOT BE COPIED, REPRODUCED, DISCLOSED IN PART OR IN WHOLE, OR OTHERWISE MADE AVAILABLE TO THIRD PARTY WITHOUT OUR PREVIOUS WRITTEN CONSENT.</p> <p>Surface: mm² Weight: g.</p> <p>SCALE: NTS</p> <p>A3</p> <p>CHECKED Q/C DATE</p>
---	--	--



Scale 1:1 20180305-T40 B00 Sheet 2 / 2